

# DC-Link 金属化薄膜电容器 DKMJ-AP series

## Metalized film capacitor

铜插片引出, 安装简单方便

Plastic package, sealed with epoxy resin ;  
Copper insert leads, easy installation

耐压高, 具有自愈性

Resistance to high voltage,  
with self-healing

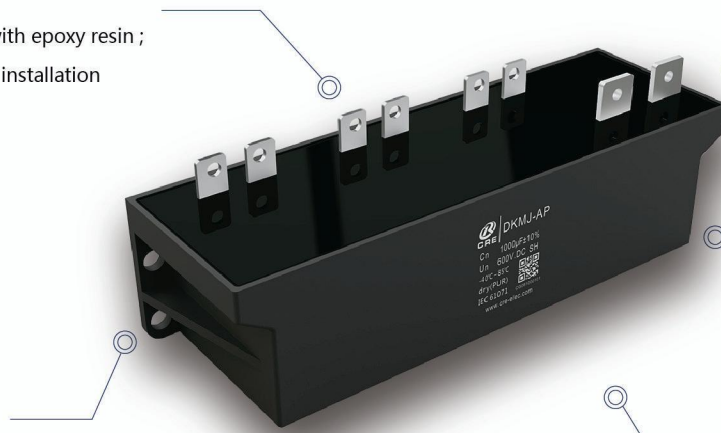
容量大, 体积小

Large capacity, small size

自感 (ESL) 低, 能有效降低反向电压

Low ESR, can effectively reduce the  
reverse voltage

等效串联电阻小, 能承受大的纹波电流  
Low ESR, high ripple current handling  
capability



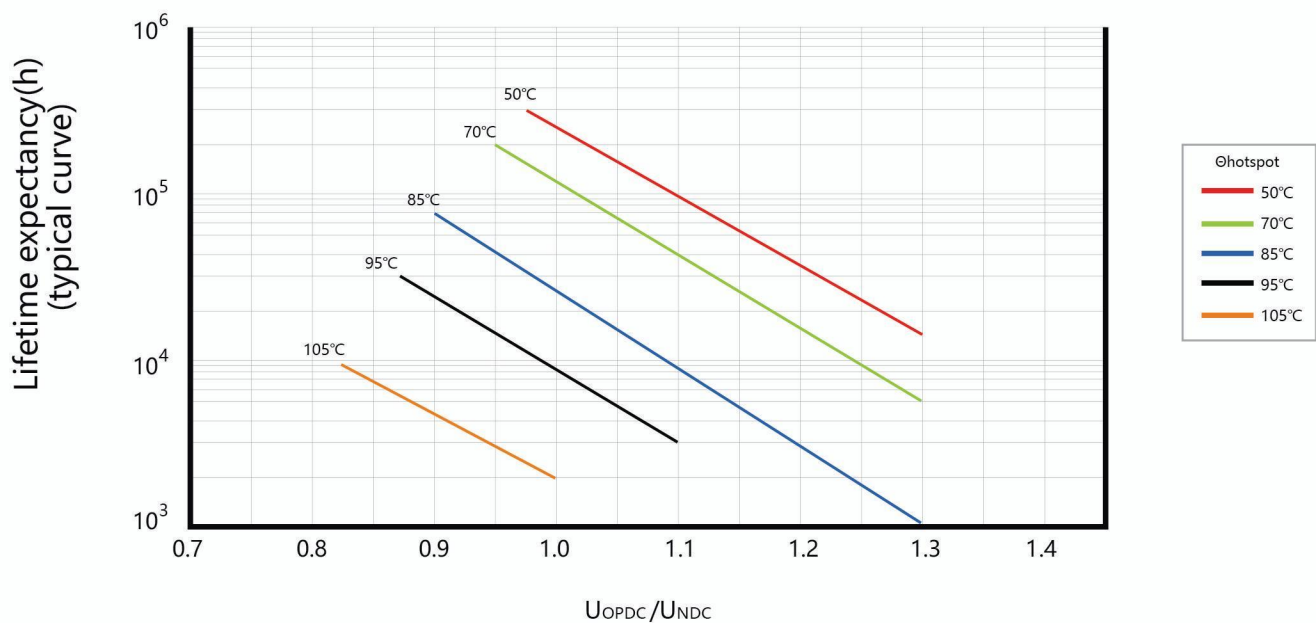
### 应用

- 广泛应用于电动车和混合动力汽车。

### Application

- Widely used in EV and HEV.

### 预期寿命曲线图 Life expectancy in the graph

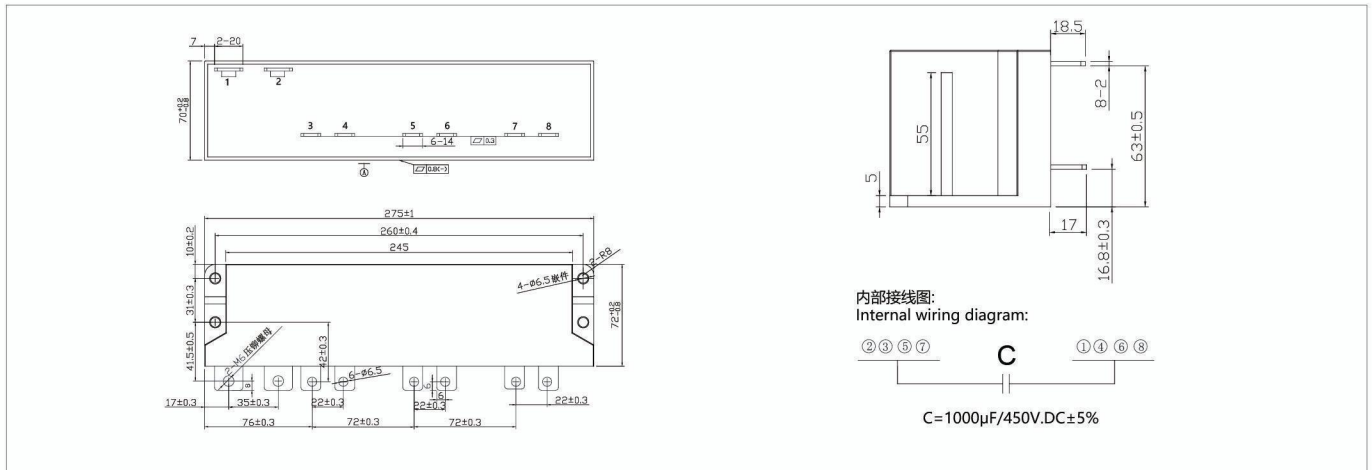


01



# DC-Link 金属化薄膜电容器 DKMJ-AP series Metalized film capacitor

## 尺寸图 Size chart



## 性能参数 Technical data

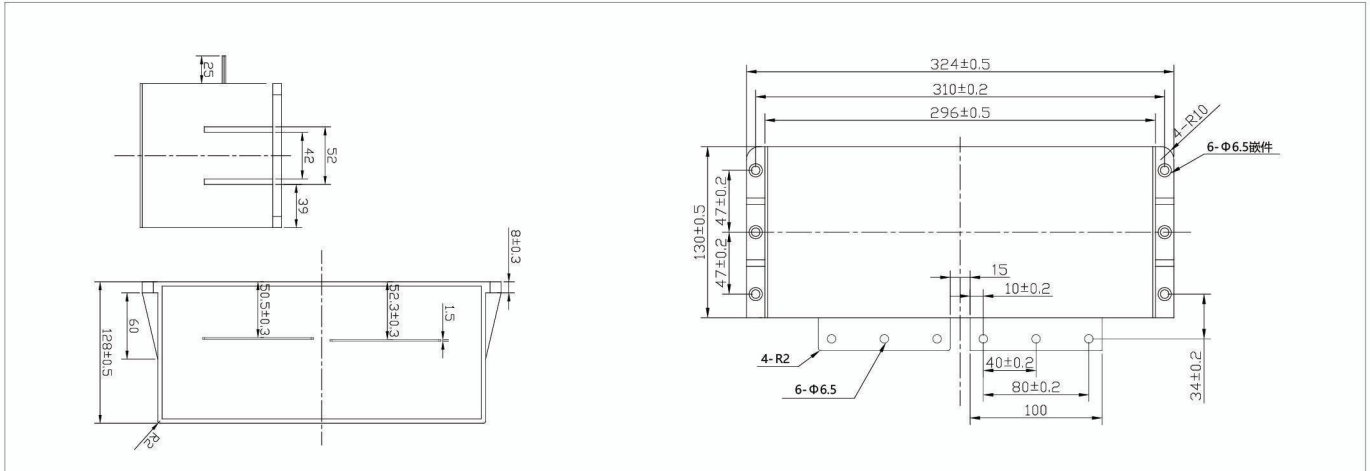
产品编码: MKP61A0450D108J\*\*

工作温度范围 / Operating temperature range	-40°C ~ 105°C	
贮存温度范围 / Storage temperature range	-40°C ~ 105°C	
额定电压 (U <sub>N</sub> ) / Rated voltage	450V.DC	
额定容量 (C <sub>N</sub> ) / Rated capacitance	1000µF	
容量偏差 / Cap.tol	±5% (J)	
耐电压 / Withstand voltage	V <sub>t</sub> - t	1.5U <sub>N</sub> / 10s (20°C±5°C)
	V <sub>t</sub> - c	3000V.AC / 10s (50Hz, 20°C±5°C)
损耗角正切 / Dissipation factor	tgδ ≤ 0.001 f = 100Hz	
	介质损耗 tgδ <sub>0</sub> ≤ 0.0002	
绝缘电阻 / Insulation resistance	R <sub>s</sub> × C ≥ 10000s (at 20°C 100V.DC 60s)	
等效串联电阻 / ESR	≤ 0.3mΩ (10kHz)	
自感 / L <sub>s</sub>	≤ 20nH	
热阻 / R <sub>th</sub>	1.8K/W	
额定电流 / Max. current I <sub>rms</sub>	140A (70°C)	
浪涌电压 / Non-recurrent surge voltage (U <sub>s</sub> )	675V.DC	
脉冲峰值电流 / Maximum peak current (İ)	5kA	
浪涌电流 / Maximum surge current (I <sub>s</sub> )	15kA	
失效率 / Failure quota	< 50fit	
预期寿命 / Life expectancy	参考预期寿命曲线 / Reference life expectancy curve	
引用标准 / Reference standard	IEC61071 ; AEC Q200D - 2010	
重量 / Weight	≈ 2.3kg	
尺寸 / Dimension	275mm x 72mm x 70mm	



03

## 尺寸图 Size chart



## 性能参数 Technical data

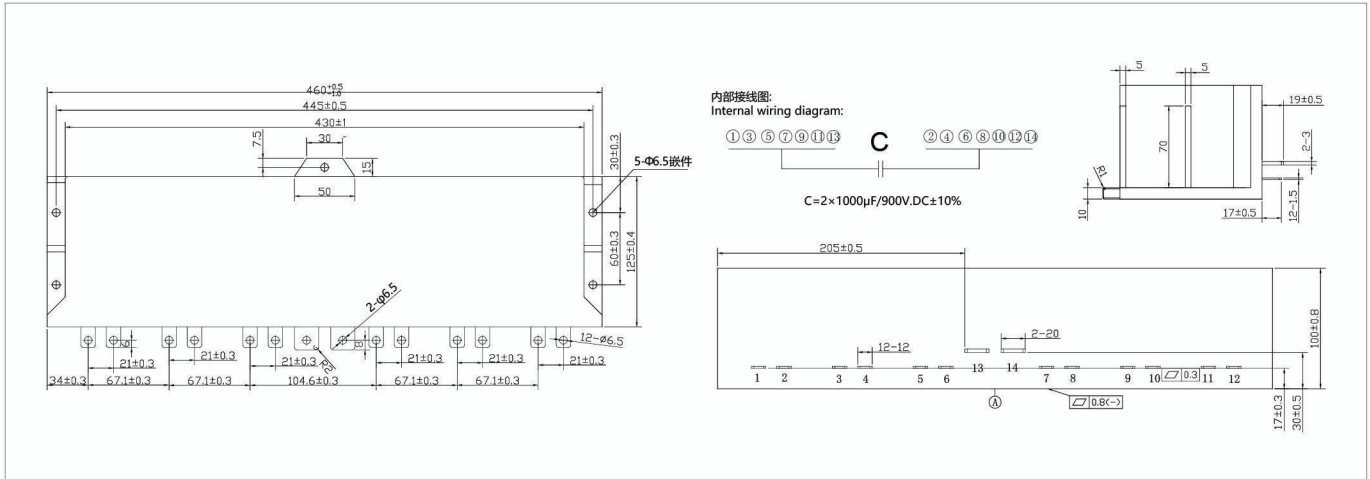
产品编码: MKP61A0900D188K\*\*

工作温度范围 / Operating temperature range	-40°C ~ 105°C	
贮存温度范围 / Storage temperature range	-40°C ~ 105°C	
额定电压( $U_N$ ) / Rated voltage	900V.DC	
额定容量( $C_N$ ) / Rated capacitance	1800 $\mu$ F	
容量偏差 / Cap.tol	$\pm 10\%$ (K)	
耐电压 / Withstand voltage	Vt - t	1.5 $U_N$ / 10s ( 20°C $\pm$ 5°C )
	Vt - c	3000V.AC /10s ( 50Hz , 20°C $\pm$ 5°C )
损耗角正切 / Dissipation factor	tg $\delta$ $\leq$ 0.001 f = 100Hz	
	介质损耗 tg $\delta_0$ $\leq$ 0.0002	
绝缘电阻/Insulation resistance	Rs $\times$ C > 10000s ( at20°C 100V.DC 60s )	
等效串联电阻 / ESR	$\leq 0.2$ m $\Omega$ (10kHz)	
自感/Ls	$\leq 20$ nH	
热阻 / Rth	1.2K/W	
额定电流/Max. current Irms	160A ( 70°C )	
浪涌电压 / Non-recurrent surge voltage(Us)	1350V.DC	
脉冲峰值电流 / Maximum peak current( $\hat{I}$ )	7.2kA	
浪涌电流 / Maximum surge current( Is)	14.4kA	
失效率 / Failure quota	$\leq 50$ fit	
预期寿命 / Life expectancy	参考预期寿命曲线/Reference life expectancy curve	
引用标准 / Reference standard	IEC61071 ; AEC Q200D - 2010	
重量 / Weight	$\approx 6.7$ kg	
尺寸 / Dimension	324mm x 130mm x 128mm	



# DC-Link 金属化薄膜电容器 DKMJ-AP series Metalized film capacitor

## 尺寸图 Size chart



## 性能参数 Technical data

产品编码: MKP61A0900D188K\*\*

工作温度范围 / Operating temperature range	-40°C ~ 105°C	
贮存温度范围 / Storage temperature range	-40°C ~ 105°C	
额定电压 (U <sub>N</sub> ) / Rated voltage	900V.DC	
额定容量 (C <sub>N</sub> ) / Rated capacitance	2×1000μF	
容量偏差 / Cap.tol	±10% (K)	
耐电压 / Withstand voltage	Vt - t	1.5U <sub>N</sub> / 10s ( 20°C±5°C )
	Vt - c	3000V.AC / 10s ( 50Hz , 20°C±5°C )
损耗角正切 / Dissipation factor	tgδ ≤ 0.001 f = 100Hz	
	介质损耗 tgδ <sub>0</sub> ≤ 0.0002	
绝缘电阻/Insulation resistance	R <sub>s</sub> × C ≥ 10000s ( at 20°C 100V.DC 60s )	
等效串联电阻 / ESR	≤ 0.3mΩ ( 10kHz )	
自感/Ls	≤ 25nH	
热阻 / Rth	0.5K/W	
额定电流/Max. current Irms	200A ( 70°C )	
浪涌电压 / Non-recurrent surge voltage(Us)	1350V.DC	
脉冲峰值电流 / Maximum peak current(I)	10kA	
浪涌电流 / Maximum surge current( Is)	20kA	
失效率 / Failure quota	≤ 50fit	
预期寿命 / Life expectancy	参考预期寿命曲线/Reference life expectancy curve	
引用标准 / Reference standard	IEC61071 ; AEC Q200D-2010	
重量 / Weight	≈ 7.8kg	
尺寸 / Dimension	460mm x 125mm x 100mm	

