

DC-Link 金属化薄膜电容器 DMJ-MC series Metalized film capacitor

铜螺母/螺杆引出, 塑料定位盖
绝缘, 安装简单方便
Copper nut/screw leads,insulated
plastic cover positioning,easy
installation

耐压高, 具有自愈性
Resistance to high voltage,with
self-healing

高纹路电流, 高dv/dt承受能力
High ripple current,high dv/dt
withstand capability

铝圆外壳封装, 干式树脂灌注
Aluminum round housing package,
Sealed with resin

容量大, 体积小
Large capacity,small size

应用

- 广泛应用于DC-Link电路中, 作滤波储能用。
- 能替代电解电容, 性能更优, 寿命更长。
- 光伏逆变器, 风电变流器; 各种变频器及逆变电源; 纯电动及混合动力汽车; SVG, SVC等各类电能质量管理设备。

Application

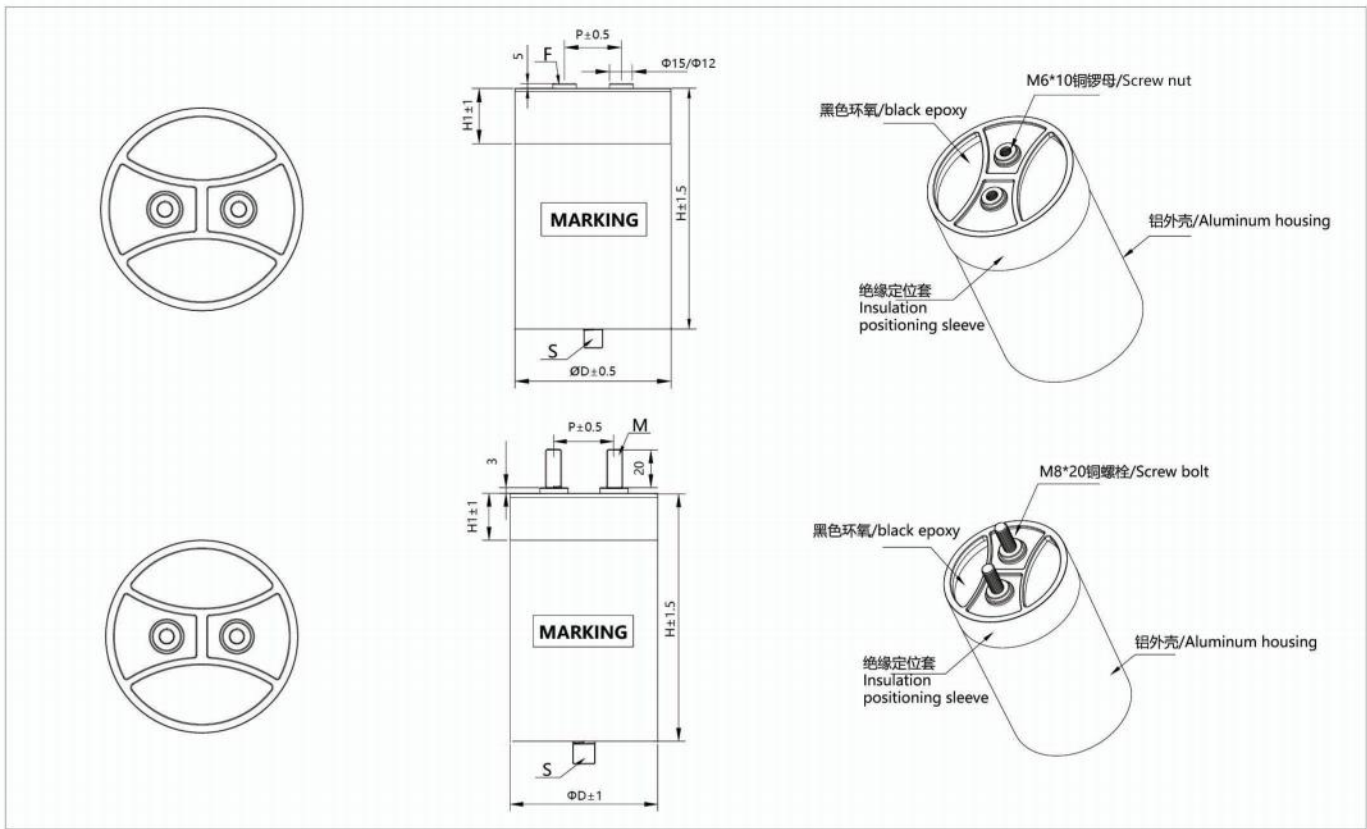
- Widely used in DC-Link circuit for filtering energy storage.
- Can replace electrolytic capacitors,better performance and longer life.
- Pv inverter;wind power converter;All kinds of frequency converter and inverter power supply;Pure electric and hybrid cars;SVG,SVC devices and other kinds of power quality management.

外形图 The contour map

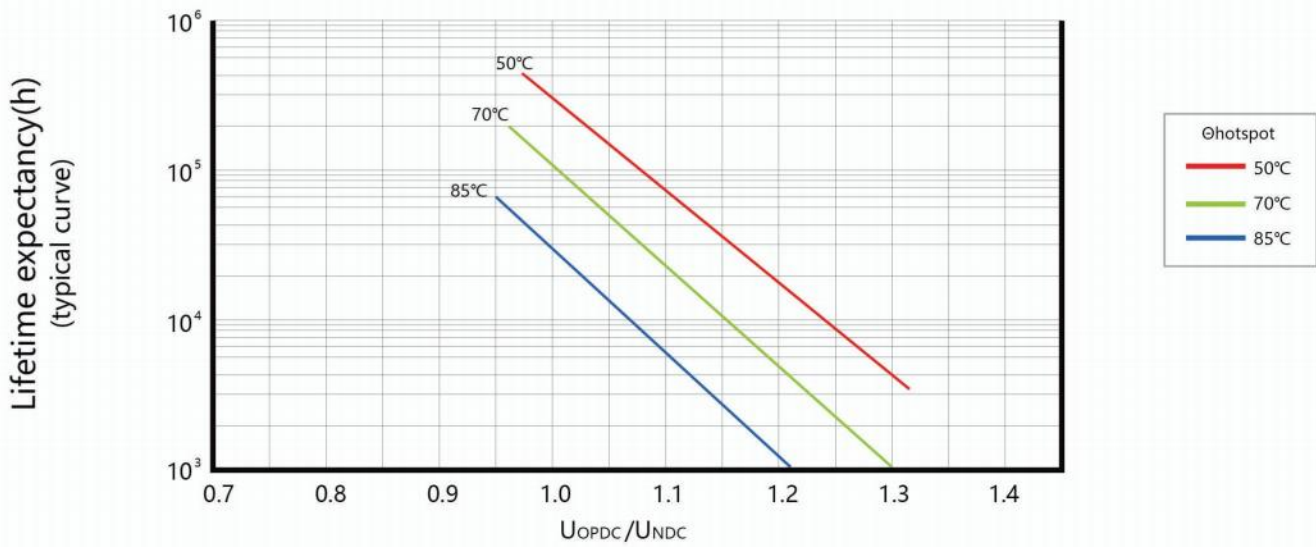
ΦD(mm)	P(mm)	H1(mm)	S	F	M
76	32	20	M12×16	M6×10	M8×20
86	32	20	M12×16	M6×10	M8×20
96	45	20	M12×16	M6×10	M8×20
116	50	30	M12×16	M6×10	M8×20
136	50	30	M16×25	M6×10	M8×20



01



预期寿命曲线图 Life expectancy in the graph



DC-Link 金属化薄膜电容器 DMJ-MC series

Metalized film capacitor

性能参数 Technical data

工作温度范围/Operating temperature range	Max.Operating temperature.,Top,max:+85°C Upper category temperature:+70°C Lower category temperature:-40°C
容量范围 (C _N) /Capacitance range	50μF~4000μF
额定电压 (U _N) /Rated voltage	450V.DC~4000V.DC
容量偏差/Cap.tol	±5% (J) ; ±10% (K)
耐电压/Withstand voltage	Vt-t 1.5U _N DC/60s
	Vt-c 1000+2×U _N /√2(V.AC)60S(min 3000V.AC)
过电压/Over voltage	1.1U _N (30% of on-load-dur.)
	1.15U _N (30min/day)
	1.2U _N (5min/day)
	1.3U _N (1min/day)
损耗角正切/Dissipation factor	1.5U _N (100ms every time,1000 times during the lifetime)
	tgδ≤0.003, f=100Hz 介质损耗 tgδ ₀ ≤0.0002
绝缘电阻/Insulation resistance	R _s ×C≥10000s (at20°C 100V.DC 60s)
耐脉冲电流冲击/Withstand strike current	具体见规格表/See the specification sheet
有效电流/I _{rms}	具体见规格表/See the specification sheet
阻燃性/Flame retardation	UL94V-0
最高使用海拔高度/Maximum altitude	3500m
	Derating should be considered when the altitude is between 3500m -5500m. (For each increase of 1000m, voltage and current will be reduced by 10%)
预期寿命/Life expectancy	100000h (U _N ;θ _{hotspot} ≤70°C)
引用标准/Reference standard	IEC61071; GB/T17702

产品编码说明 Part number system

Model			Capacitance			U _N (DC)				Cap. tol	diameter	Height			Lead	Bottom mounted type	Shell surface treatment	Internal feature code	
1	2	3	4	5	6	7	8	9	10	11	12	13	14	15	16	17	18	19	20
D	M	C	4	2	7	1	2	0	0	J	D	1	5	5	*	*	*	*	*
1	~	3	位: 型号代码/Model																
4	~	6	位: 标称容量/Nominal Capacity e.g. 427=42×10 ⁷ pF=420μF																
7	~	10	位: 额定电压 (直流) / U _N (DC) e.g. 1200=1200VDC																
		11	位: 容量偏差等级/Capacitance Tolerance ±5% (J) ; ±10% (K)																
		12	位: 外壳直径/Shell diameter A=φ50mm B=φ65mm C=φ76mm D=φ86mm																



03

产品编码说明 Part number system

续上表

Model			Capacitance			U _N (DC)				Cap. tol	diameter	Height			Lead	Bottom mounted type	Shell surface treatment	Internal feature code	
1	2	3	4	5	6	7	8	9	10	11	12	13	14	15	16	17	18	19	20
			E=φ96mm																
			F=φ116mm																
			G=φ136mm																
13	~	15	位: 外壳高度/Shell height																
			e.g. 155=155mm																
		16	位: 引出形式/Lead																
			M: M8×20 螺栓引出/Screw bolt																
			F: M6×10 螺母引出/Screw nut																
		17	位: 底部安装形式/Bottom mounted type																
			S: 螺杆固定/Screw fixed																
			T: 平底/Flat base																
		18	位: 外壳表面处理方式/Shell surface treatment																
			0: 无阳极气化处理/Anode-free gasification treatment																
			1: 银色阳极氧化处理/Silver anodized finish																
19	~	20	位: 内部特征码/Internal feature code																

规格表 Specification table

C _N (μF)	φD (mm)	H (mm)	ESL (nH)	dv/dt (V/μS)	I _p (kA)	I _s (kA)	I _{rms} @50°C (A)	ESR @1kHz (mΩ)	R _{th} (K/W)	P (mm)	Weight (kg)	Part number
U _N 500V.DC												
380	76	75	50	10	3.8	11.4	45	2.2	4.5	32	0.5	DMC3870500*C075*****
500	76	100	40	8	4.0	12.0	65	1.5	3.2	32	0.6	DMC5070500*C100*****
750	76	130	50	5	3.8	11.3	65	1.6	3.0	32	0.75	DMC7570500*C130*****
500	86	75	50	8	4.0	12.0	55	1.8	3.7	32	0.65	DMC5070500*D075*****
1000	86	130	50	5	5.0	15.0	70	1.5	2.7	32	1.1	DMC1080500*D130*****
650	86	100	40	5	3.3	9.8	75	1.2	3.0	32	0.9	DMC6570500*D100*****
650	86	95	40	5	3.3	9.8	75	1.2	3.0	32	0.85	DMC6570500*D095*****
650	96	75	50	5	3.3	9.8	60	1.5	3.7	45	0.75	DMC6570500*E075*****
1250	96	130	50	4	5.0	15.0	80	1	3.1	45	1.2	DMC1280500*E130*****
1800	116	130	50	4	7.2	21.6	85	0.8	3.5	50	1.6	DMC1880500*F130*****
1450	86	180	60	4	5.8	17.4	90	0.9	2.7	32	1.55	DMC1480500*D180*****
2400	116	155	50	3	7.2	21.6	90	0.8	3.5	50	1.9	DMC2480500*F155*****
2700	116	190	60	3	8.1	24.3	100	0.8	2.5	50	2.45	DMC2780500*F190*****
3200	116	233	60	3	9.6	28.8	100	0.65	2.7	50	3	DMC3280500*F233*****



DC-Link 金属化薄膜电容器 DMJ-MC series

Metalized film capacitor

规格表 Specification table

续上表

C _N (μF)	φD (mm)	H (mm)	ESL (nH)	dv/dt (V/μS)	I _p (kA)	I _s (kA)	I _{rms} @50°C (A)	ESR @1kHz (mΩ)	R _{th} (K/W)	P (mm)	Weight (kg)	Part number
U _N 600V.DC												
480	76	95	45	4	1.9	5.7	65	1.5	5.6	32	0.60	DMC4870600*C095****
650	76	120	50	3	1.9	5.7	63	1.9	4.7	32	0.70	DMC6570600*C120****
780	76	140	55	2	1.6	4.8	59	2.2	4.6	32	0.75	DMC7870600*C140****
820	76	155	40	4	3.2	9.6	70	1.5	4.3	32	0.90	DMC8270600*C155****
950	76	175	45	4	3.8	11.4	70	1.5	4.2	32	1.00	DMC9570600*C175****
650	86	95	45	4	2.6	7.8	70	1.2	5.1	32	0.72	DMC6570600*D095****
880	86	120	50	3	2.6	7.8	70	1.5	4.7	32	1.00	DMC8870600*D120****
1000	86	136	55	2	2.0	6.0	65	1.8	4.6	32	1.10	DMC1080600*D136****
1100	86	140	55	2	2.2	6.6	67	1.7	4.6	32	1.15	DMC1180600*D140****
1100	86	155	40	4	4.4	13.2	70	1.4	4.4	32	1.25	DMC1180600*D155****
1300	86	175	45	4	5.2	15.6	70	1.4	4.3	32	1.30	DMC1380600*D175****
2000	86	252	55	4	8.0	24.0	70	1.1	3.0	32	1.80	DMC2080600*D252****
1200	116	95	45	4	4.8	14.4	80	0.7	5.4	50	1.20	DMC1280600*F095****
1600	116	120	50	3	4.8	14.4	80	1.0	5.0	50	1.50	DMC1680600*F120****
2000	116	140	55	2	4.0	12.0	80	1.1	4.9	50	1.75	DMC2080600*F140****
2100	116	158	40	4	8.4	25.2	100	0.8	3.6	50	2.00	DMC2180600*F158****
2400	116	175	45	4	9.6	28.8	100	0.9	3.4	50	2.20	DMC2480600*F175****
3000	116	230	50	4	12.0	36.0	100	0.8	2.7	50	2.80	DMC3080600*F230****
5600	136	295	60	3	16.8	50.4	100	0.8	2.0	50	4.90	DMC5680600*G295****
U _N 700V.DC												
250	76	75	40	15	3.8	11.3	40	3.1	3.0	32	0.50	DMC2570700*C075****
360	76	95	45	5	1.8	5.4	63	1.6	5.6	32	0.60	DMC3670700*C095****
470	76	125	45	4	1.9	5.7	60	1.8	5.4	32	0.70	DMC4770700*C125****
480	76	120	50	4	1.9	5.8	60	2.1	4.7	32	0.70	DMC4870700*C120****
580	76	140	55	3	1.7	5.2	56	2.4	4.6	32	0.75	DMC5870700*C140****
620	76	155	40	5	3.1	9.3	70	1.5	4.3	32	0.90	DMC6270700*C155****
720	76	175	45	5	3.6	10.8	70	1.6	4.2	32	1.00	DMC7270700*C175****
400	86	85	45	6	2.4	7.2	40	3.0	3.1	32	0.70	DMC4070700*D085****
480	86	95	45	5	2.4	7.2	70	1.3	5.1	32	0.72	DMC4870700*D095****
480	86	130	50	5	2.4	7.2	60	2.2	4.6	32	1.05	DMC4870700*D130****
650	86	120	50	4	2.6	7.8	66	1.7	4.7	32	1.00	DMC6570700*D120****
750	86	136	55	3	2.3	6.8	62	2.0	4.6	32	1.10	DMC7570700*D136****
780	86	140	55	3	2.3	7.0	63	1.9	4.6	32	1.15	DMC7870700*D140****
820	86	155	40	5	4.1	12.3	70	1.4	4.4	32	1.25	DMC8270700*D155****
950	86	175	45	5	4.8	14.3	70	1.5	4.3	32	1.30	DMC9570700*D175****
1500	86	252	55	5	7.5	22.5	70	1.1	3.0	32	1.80	DMC1580700*D252****
920	116	95	45	5	4.6	13.8	80	0.7	5.4	50	1.20	DMC9270700*F095****
1200	116	120	50	4	4.8	14.4	80	1.0	5.0	50	1.50	DMC1280700*F120****



规格表 Specification table

续上表

C _N (μF)	φD (mm)	H (mm)	ESL (nH)	dv/dt (V/μS)	I _p (kA)	I _s (kA)	I _{rms} @50°C (A)	ESR @1kHz (mΩ)	R _{th} (K/W)	P (mm)	Weight (kg)	Part number
U_N 700V.DC												
1500	116	140	55	3	4.5	13.5	80	1.1	4.9	50	1.75	DMC1580700*F140*****
1500	116	158	40	5	7.5	22.5	100	0.8	3.6	50	2.00	DMC1580700*F158*****
1800	116	175	45	5	9.0	27.0	100	1.0	3.4	50	2.20	DMC1880700*F175*****
2300	116	230	50	5	11.5	34.5	100	0.8	2.7	50	2.80	DMC2380700*F230*****
4200	136	295	60	4	16.8	50.4	100	0.8	2.0	50	4.90	DMC4280700*G295*****
U_N 800V.DC												
290	76	95	45	6	1.7	5.2	61	1.7	5.6	32	0.60	DMC2970800*C095*****
400	76	120	50	4	1.6	4.8	58	2.2	4.7	32	0.70	DMC4070800*C120*****
480	76	140	55	4	1.9	5.8	55	2.5	4.6	32	0.75	DMC4870800*C140*****
480	76	155	40	4	1.9	5.8	70	1.6	4.3	32	0.90	DMC4870800*C155*****
560	76	175	45	6	3.4	10.1	70	1.7	4.2	32	1.00	DMC5670800*C175*****
110	86	80	45	20	2.2	6.6	75	1.3	2.1	32	0.60	DMC1170800*D080*****
150	86	95	45	30	4.5	13.5	80	1.2	2.0	32	0.72	DMC1570800*D095*****
380	86	95	45	8	3.0	9.1	70	1.4	5.1	32	0.72	DMC3870800*D095*****
400	86	85	40	6	2.4	7.2	35	3.0	4.1	32	0.65	DMC4070800*D085*****
520	86	120	50	4	2.1	6.2	64	1.8	4.7	32	1.00	DMC5270800*D120*****
580	86	136	55	4	2.3	7.0	62	2.0	4.6	32	1.10	DMC5870800*D136*****
630	86	140	55	3	1.9	5.7	60	2.1	4.6	32	1.15	DMC6370800*D140*****
650	86	155	40	3	2.0	5.9	70	1.5	4.4	32	1.25	DMC6570800*D155*****
750	86	175	45	6	4.5	13.5	70	1.6	4.3	32	1.30	DMC7570800*D175*****
1100	86	252	55	4	4.4	13.2	70	1.2	3.0	32	1.80	DMC1180800*D252*****
720	116	95	45	6	4.3	13.0	80	0.8	5.4	50	1.20	DMC7270800*F095*****
980	116	120	50	4	3.9	11.8	79	1.1	5.0	50	1.50	DMC9870800*F120*****
1200	116	140	55	4	4.8	14.4	77	1.2	4.9	50	1.75	DMC1280800*F140*****
1200	116	158	40	6	7.2	21.6	100	0.85	3.6	50	2.00	DMC1280800*F158*****
1500	116	175	45	6	9.0	27.0	100	1.0	3.4	50	2.20	DMC1580800*F175*****
1800	116	230	50	6	10.8	32.4	100	0.8	2.7	50	2.80	DMC1880800*F230*****
3200	136	295	60	5	16.0	48.0	100	0.8	2.0	50	4.90	DMC3280800*G295*****
UN 900V.DC												
290	76	95	45	6	1.7	5.2	56	2.0	5.6	32	0.60	DMC2970900*C095*****
400	76	120	50	4	1.6	4.8	54	2.6	4.7	32	0.70	DMC4070900*C120*****
480	76	140	55	4	1.9	5.8	51	2.9	4.6	32	0.75	DMC4870900*C140*****
480	76	155	40	6	2.9	8.6	69	1.7	4.3	32	0.90	DMC4870900*C155*****
560	76	175	45	6	3.4	10.1	68	1.8	4.2	32	1.00	DMC5670900*C175*****
570	76	175	45	8	4.6	13.8	68	1.8	4.2	32	1.00	DMC5770900*C175*****
200	88	100	40	12	2.4	7.2	50	1.0	0.8	32	0.75	DMC2070900*D100*****
300	86	105	40	10	3	12	50	1.7	3.5	32	0.80	DMC3070900*D105*****
340	88	110	40	20	6.8	20.4	80	0.75	3.1	32	0.95	DMC3470900*D110*****



DC-Link 金属化薄膜电容器 DMJ-MC series

Metalized film capacitor

规格表 Specification table

续上表

C _N (μF)	φD (mm)	H (mm)	ESL (nH)	dv/dt (V/μS)	I _p (kA)	I _s (kA)	I _{rms} @50°C (A)	ESR @1kHz (mΩ)	R _{th} (K/W)	P (mm)	Weight (kg)	Part number
UN 900V.DC												
380	86	95	45	6	2.3	6.8	65	1.6	5.1	32	0.72	DMC3870900*D095*****
520	86	120	50	4	2.1	6.2	60	2.1	4.7	32	1.00	DMC5270900*D120*****
580	86	136	55	4	2.3	7.0	59	2.2	4.6	32	1.10	DMC5870900*D136*****
630	86	140	55	4	2.5	7.6	56	2.4	4.6	32	1.15	DMC6370900*D140*****
650	86	155	40	6	3.9	11.7	70	1.5	4.4	32	1.25	DMC6570900*D155*****
750	86	175	45	6	4.5	13.5	70	1.6	4.3	32	1.30	DMC7570900*D175*****
840	86	180	50	5	4.2	12.6	80	1.6	1.5	32	1.30	DMC8470900*D180*****
1100	86	252	55	6	6.6	19.8	70	1.3	3.0	32	1.80	DMC1180900*D252*****
800	96	136	50	5	4	12	70	1.8	1.7	45	1.35	DMC8070900*E136*****
720	116	95	45	6	4.3	13.0	80	0.9	5.4	50	1.20	DMC7270900*F095*****
980	116	120	50	4	3.9	11.8	76	1.2	5.0	50	1.50	DMC9870900*F120*****
1000	116	215	45	10	10	30	120	0.4	1.4	50	2.50	DMC1080900*F215*****
1200	116	140	55	4	4.8	14.4	71	1.4	4.9	50	1.75	DMC1280900*F140*****
1200	116	158	40	6	7.2	21.6	100	0.9	3.6	50	2.00	DMC1280900*F158*****
1320	116	175	45	6	8.0	24.0	80	1.0	2.4	50	2.20	DMC1380900*F175*****
1500	116	175	45	6	9.0	27.0	96	1.1	3.4	50	2.20	DMC1580900*F175*****
1800	116	230	50	6	10.8	32.4	100	0.8	2.7	50	2.80	DMC1880900*F230*****
3000	116	374	80	5	15	45	100	1.1	1.8	50	4.60	DMC3080900*F374*****
3200	136	295	60	5	16.0	48.0	100	0.8	2.0	50	4.90	DMC3280900*G295*****
UN 1000V.DC												
220	76	95	45	7	1.5	4.6	53	2.2	5.6	32	0.60	DMC2271000*C095*****
300	76	120	50	5	1.5	4.5	51	2.9	4.7	32	0.70	DMC3071000*C120*****
360	76	140	55	4	1.4	4.3	48	3.3	4.6	32	0.75	DMC3671000*C140*****
360	76	155	40	8	2.9	8.6	65	1.9	4.3	32	0.90	DMC3671000*C155*****
420	76	175	45	7	2.9	8.8	65	2.0	4.2	32	1.00	DMC4271000*C175*****
270	86	95	45	12	3.2	9.6	55	1.1	4.5	32	0.72	DMC2771000*D095*****
290	86	95	45	7	2.0	6.1	62	1.8	5.1	32	0.72	DMC2971000*D095*****
400	86	120	50	5	2.0	6.0	57	2.3	4.7	32	1.00	DMC4071000*D120*****
470	86	136	55	5	2.4	7.1	59	2.2	4.6	32	1.10	DMC4771000*D136*****
480	86	140	55	4	1.9	5.8	54	2.6	4.6	32	1.15	DMC4871000*D140*****
500	86	155	40	8	4.0	12.0	70	1.6	4.4	32	1.25	DMC5071000*D155*****
560	86	175	45	7	3.9	11.8	69	1.7	4.3	32	1.30	DMC5671000*D175*****
900	86	252	55	7	6.3	18.9	70	1.3	3.0	32	1.80	DMC9071000*D252*****
540	116	95	45	7	3.8	11.3	80	1.0	5.4	50	1.20	DMC5471000*F095*****
740	116	120	50	5	3.7	11.1	70	1.4	5.0	50	1.50	DMC7471000*F120*****
900	116	140	55	4	3.6	10.8	69	1.5	4.9	50	1.75	DMC9071000*F140*****
900	116	158	40	8	7.2	21.6	100	0.95	3.6	50	2.00	DMC9071000*F158*****
1100	116	175	45	7	7.7	23.1	92	1.2	3.4	50	2.20	DMC1181000*F175*****



规格表 Specification table

续上表

C _N (μF)	φD (mm)	H (mm)	ESL (nH)	dv/dt (V/μS)	I _p (kA)	I _s (kA)	I _{rms} @50°C (A)	ESR @1kHz (mΩ)	R _{th} (K/W)	P (mm)	Weight (kg)	Part number
U _N 1000V.DC												
1400	116	230	50	8	11.2	33.6	100	0.9	2.7	50	2.80	DMC1481000*F230****
500	136	185	50	10	5	15	150	1.2	1.2	50	3.00	DMC5071000*G185****
1000	136	230	60	4	4	12	150	1.2	1.2	50	4.20	DMC1081000*G230****
2500	136	295	60	6	15.0	45.0	100	0.9	20	50	4.90	DMC2581000*G295****
U _N 1100V.DC												
170	76	95	40	13	2.0	6.1	51	2.3	4.1	32	0.60	DMC1771100*C095****
180	76	95	45	8	1.4	4.3	52	2.3	5.6	32	0.60	DMC1871100*C095****
250	76	120	50	6	1.5	4.5	50	3.0	4.7	32	0.70	DMC2571100*C120****
300	76	140	55	5	1.5	4.5	47	3.5	4.6	32	0.75	DMC3071100*C140****
310	76	155	40	9	2.8	8.4	65	1.9	4.3	32	0.90	DMC3171100*C155****
360	76	175	45	8	2.9	8.6	65	2.0	4.2	32	1.00	DMC3671100*C175****
240	86	95	45	8	1.9	5.8	60	1.9	5.1	32	0.72	DMC2471100*D095****
330	86	120	50	6	2.0	5.9	56	2.4	4.7	32	1.00	DMC3371100*D120****
420	86	136	55	5	2.1	6.3	58	2.3	4.6	32	1.10	DMC4271100*D136****
420	88	136	40	12	5.0	15	75	1.5	1.8	32	1.15	DMC4271100*D136****
420	86	155	40	9	3.8	11.3	63	1.7	4.4	32	1.25	DMC4271100*D155****
480	86	173	40	11	5.0	15	80	1.0	2.3	32	1.30	DMC4871100*D173****
500	86	174	45	10	5.0	15	80	1.1	2.1	32	1.30	DMC5071100*D174****
750	86	230	55	8	6.0	18.0	70	1.3	3.0	32	1.70	DMC7571100*D230****
750	86	252	55	8	6.0	18.0	70	1.3	3.0	32	1.80	DMC7571100*D252****
840	86	255	60	7	6.0	18.0	75	2.0	1.4	32	1.85	DMC8471100*D255****
600	96	155	50	5	3.0	9.0	70	1.6	1.9	45	1.50	DMC6071100*E155****
660	96	155	50	5	3.0	9.0	70	1.6	1.9	45	1.50	DMC6671100*E155****
450	116	95	45	8	3.6	10.8	80	1.0	5.4	50	1.20	DMC4571100*F095****
620	116	120	50	6	3.7	11.2	70	1.4	5.0	50	1.50	DMC6271100*F120****
750	116	140	55	5	3.8	11.3	66	1.6	4.9	50	1.75	DMC7571100*F140****
780	116	158	40	9	7.0	21.1	100	0.9	3.6	50	2.00	DMC7871100*F158****
920	116	175	45	8	7.4	22.1	96	1.1	3.4	50	2.20	DMC9271100*F175****
1000	116	180	60	4	4	12	85	1.1	1.9	50	2.25	DMC1081100*F180****
1200	116	180	60	4	4.8	14.4	75	1.3	2.1	50	2.25	DMC1281100*F180****
1200	116	230	50	9	10.8	32.4	100	0.9	2.7	50	2.80	DMC1281100*F230****
1500	116	275	50	5	7.5	22.5	100	0.8	1.9	50	3.40	DMC1581100*F275****
1600	116	275	50	5	8	24	100	0.8	1.9	50	3.40	DMC1681100*F275****
2000	116	335	70	6	12	36	100	1.3	1.2	50	4.00	DMC2081100*F335****
1700	136	230	60	6	10.2	30.6	100	1.1	1.4	50	3.80	DMC1781100*G230****
2200	136	295	60	7	15.4	46.2	100	0.9	2.0	50	4.90	DMC2281100*G295****
3060	136	335	70	5	15.3	45.9	100	0.9	2.0	50	6.00	DMC3081100*G335****



DC-Link 金属化薄膜电容器 DMJ-MC series

Metalized film capacitor

规格表 Specification table

续上表

C _N (μF)	φD (mm)	H (mm)	ESL (nH)	dv/dt (V/μS)	I _p (kA)	I _s (kA)	I _{rms} @50°C (A)	ESR @1kHz (mΩ)	R _{th} (K/W)	P (mm)	Weight (kg)	Part number
U _N 1200V.DC												
140	76	95	45	10	1.4	4.2	48	2.7	5.6	32	0.60	DMC1471200*C095*****
200	76	120	50	7	1.4	4.2	47	3.4	4.7	32	0.70	DMC2071200*C120*****
240	76	140	55	6	1.4	4.3	44	3.9	4.6	32	0.75	DMC2471200*C140*****
240	76	155	40	11	2.6	7.9	64	2.0	4.3	32	0.90	DMC2471200*C155*****
280	76	175	45	10	2.8	8.4	63	2.1	4.2	32	1.00	DMC2871200*C175*****
190	86	95	45	10	1.9	5.7	57	2.1	5.1	32	0.72	DMC1971200*D095*****
260	86	120	50	7	1.8	5.5	53	2.7	4.7	32	1.00	DMC2671200*D120*****
320	86	136	55	6	1.9	5.8	55	2.5	4.6	32	1.10	DMC3271200*D136*****
330	86	140	55	6	2.0	5.9	50	3.0	4.6	32	1.15	DMC3371200*D140*****
330	86	155	40	11	3.6	10.9	66	1.8	4.4	32	1.25	DMC3371200*D155*****
380	86	175	45	10	3.8	11.4	65	1.9	4.3	32	1.30	DMC3871200*D175*****
420	86	136	55	5	2.1	6.3	58	2.3	4.6	32	1.10	DMC4271200*D136*****
420	88	136	40	12	5.0	15	75	1.5	1.8	32	1.15	DMC4271200*D136*****
420	86	155	40	12	5	15	70	1.5	2.0	32	1.25	DMC4271200*D155*****
580	86	252	55	10	5.8	17.4	70	1.5	3.0	32	1.80	DMC5871200*D252*****
600	86	225	50	10	6	18	70	1.5	3.0	32	1.70	DMC6071200*D225*****
700	86	225	60	7	4.9	14.7	70	1.8	1.7	32	1.70	DMC7071200*D225*****
360	116	95	45	10	3.6	10.8	76	1.1	5.4	50	1.20	DMC3671200*F095*****
500	116	120	50	7	3.5	10.5	66	1.6	5.0	50	1.50	DMC5071200*F120*****
600	116	140	55	6	3.6	10.8	63	1.8	4.9	50	1.75	DMC6071200*F140*****
620	116	158	40	11	6.8	20.5	98	1.0	3.6	50	2.00	DMC6271200*F158*****
720	116	175	45	10	7.2	21.6	92	1.2	3.4	50	2.20	DMC7271200*F175*****
920	116	180	50	10	9.2	27.6	75	1.5	1.8	50	2.25	DMC9271200*F180*****
950	116	230	50	11	10.5	31.4	100	0.9	2.7	50	2.80	DMC9571200*F230*****
1000	116	190	50	11	11	33	80	0.9	2.6	50	2.40	DMC1081200*F190*****
1000	116	230	50	11	11	33	100	0.9	2.7	50	2.80	DMC1081200*F230*****
1200	116	230	50	6	7.2	21.6	100	0.9	2.7	50	2.80	DMC1281200*F230*****
1700	136	295	60	9	15.3	45.9	100	0.9	2.0	50	4.90	DMC1781200*G295*****
U _N 1300V.DC												
120	76	95	45	11	1.3	4.0	46	2.9	5.6	32	0.60	DMC1271300*C095*****
170	76	120	50	8	1.4	4.1	45	3.7	4.7	32	0.70	DMC1771300*C120*****
210	76	140	55	7	1.5	4.4	43	4.1	4.6	32	0.75	DMC2171300*C140*****
210	76	155	40	13	2.7	8.2	62	2.1	4.3	32	0.90	DMC2171300*C155*****
240	76	175	45	11	2.6	7.9	60	2.3	4.2	32	1.00	DMC2471300*C175*****
130	86	80	40	23	3.0	9.0	40	4.2	2.2	32	0.60	DMC1371300*D080*****
170	86	95	45	11	1.9	5.6	56	2.2	5.1	32	0.72	DMC1771300*D095*****
230	86	120	50	8	1.8	5.5	52	2.8	4.7	32	1.00	DMC2371300*D120*****
270	86	136	55	7	1.9	5.7	52	2.8	4.6	32	1.10	DMC2771300*D136*****



规格表 Specification table

续上表

C _N (μF)	φD (mm)	H (mm)	ESL (nH)	dv/dt (V/μS)	I _p (kA)	I _s (kA)	I _{rms} @50°C (A)	ESR @1kHz (mΩ)	R _{th} (K/W)	P (mm)	Weight (kg)	Part number
U _N 1300V.DC												
270	86	140	55	7	1.9	5.7	48	3.3	4.6	32	1.15	DMC2771300*D140*****
280	86	155	40	13	3.6	10.9	66	1.8	4.4	32	1.25	DMC2871300*D155*****
320	86	175	45	11	3.5	10.6	65	1.9	4.3	32	1.30	DMC3271300*D175*****
520	86	252	55	11	5.7	17.2	70	1.5	3.0	32	1.80	DMC5271300*D252*****
320	116	95	45	11	3.5	10.6	73	1.2	5.4	50	1.20	DMC3271300*F095*****
430	116	120	50	8	3.4	10.3	66	1.6	5.0	50	1.50	DMC4371300*F120*****
520	116	140	55	7	3.6	10.9	63	1.8	4.9	50	1.75	DMC5271300*F140*****
540	116	158	40	13	7.0	21.1	98	1.0	3.6	50	2.00	DMC5471300*F158*****
630	116	175	45	11	6.9	20.8	92	1.2	3.4	50	2.20	DMC6371300*F175*****
650	116	175	45	11	7.2	21.6	80	2.2	1.1	50	2.20	DMC6571300*F175*****
820	116	230	50	13	10.7	32.0	100	0.9	2.7	50	2.80	DMC8271300*F230*****
1300	136	225	60	14	18.0	54.0	72	1.6	1.8	50	2.80	DMC1381300*G225*****
1500	136	295	60	10	15.0	45.0	100	1.0	2.0	50	4.90	DMC1581300*G295*****
U _N 1400V.DC												
100	76	95	45	13	1.3	3.9	45	3.1	5.6	32	0.60	DMC1071400*C095*****
140	76	120	50	10	1.4	4.2	43	4.0	4.7	32	0.70	DMC1471400*C120*****
170	76	140	55	8	1.4	4.1	41	4.6	4.6	32	0.75	DMC1771400*C140*****
170	76	155	40	15	2.6	7.7	59	2.3	4.3	32	0.90	DMC1771400*C155*****
200	76	175	45	13	2.6	7.8	59	2.4	4.2	32	1.00	DMC2071400*C175*****
140	86	95	45	13	1.8	5.5	53	2.4	5.1	32	0.72	DMC1471400*D095*****
190	86	120	50	10	1.9	5.7	49	3.1	4.7	32	1.00	DMC1971400*D120*****
230	86	136	55	8	1.8	5.5	51	2.9	4.6	32	1.10	DMC2371400*D136*****
240	86	155	40	15	3.6	10.8	65	1.9	4.4	32	1.25	DMC2471400*D155*****
270	86	175	45	13	3.5	10.5	62	2.1	4.3	32	1.30	DMC2771400*D175*****
420	86	252	55	13	5.5	16.4	70	1.5	3.0	32	1.80	DMC4271400*D252*****
800	96	255	55	9	7.2	21.6	100	1.8	2.6	45	2.30	DMC8071400*E255*****
260	116	95	45	13	3.4	10.1	70	1.3	5.4	50	1.20	DMC2671400*F095*****
360	116	120	50	9	3.2	9.7	62	1.8	5.0	50	1.50	DMC3671400*F120*****
450	116	140	55	8	3.6	10.8	59	2.0	4.9	50	1.75	DMC4571400*F140*****
460	116	158	40	15	6.9	20.7	94	1.1	3.6	50	2.00	DMC4671400*F158*****
540	116	175	45	13	7.0	21.1	79	1.3	3.4	50	2.20	DMC5471400*F175*****
700	116	230	50	15	10.5	31.5	94	0.9	2.7	50	2.80	DMC7071400*F230*****
1300	136	295	60	11	14.3	42.9	100	1.05	2.0	50	4.90	DMC1381400*G295*****
U _N 1500V.DC												
90	76	95	45	14	1.3	3.8	44	3.3	5.6	32	0.60	DMC9061500*C095*****
120	76	120	50	10	1.2	3.6	41	4.4	4.7	32	0.70	DMC1271500*C120*****
150	76	140	55	9	1.4	4.1	39	4.9	4.6	32	0.75	DMC1571500*C140*****
150	76	155	40	16	2.4	7.2	58	2.4	4.3	32	0.90	DMC1571500*C155*****



DC-Link 金属化薄膜电容器 DMJ-MC series

Metalized film capacitor

规格表 Specification table

续上表

C _N (μF)	φD (mm)	H (mm)	ESL (nH)	dv/dt (V/μs)	I _p (kA)	I _s (kA)	I _{rms} @50°C (A)	ESR @1kHz (mΩ)	R _{th} (K/W)	P (mm)	Weight (kg)	Part number
U _N 1500V.DC												
170	76	175	45	14	2.4	7.1	58	2.5	4.2	32	1.00	DMC1771500*C175****
120	86	95	45	14	1.7	5.0	51	2.6	5.1	32	0.72	DMC1271500*D095****
170	86	120	50	10	1.7	5.1	48	3.3	4.7	32	1.00	DMC1771500*D120****
200	86	136	55	9	1.8	5.4	50	3.0	4.6	32	1.10	DMC2071500*D136****
210	86	155	40	16	3.4	10.1	63	2.0	4.4	32	1.25	DMC2171500*D155****
240	86	175	45	14	3.4	10.1	62	2.1	4.3	32	1.30	DMC2471500*D175****
330	86	216	40	10	3.3	9.9	72	2.5	1.2	32	1.70	DMC3371500*D216****
380	86	252	55	14	5.3	16.0	70	1.5	3.0	32	1.80	DMC3871500*D252****
210	96	130	40	20	4.2	12.6	70	3.5	1.0	45	1.20	DMC2171500*E130****
230	116	95	45	14	3.2	9.7	68	1.4	5.4	50	1.20	DMC2371500*F095****
320	116	120	50	10	3.2	9.6	60	1.9	5.0	50	1.50	DMC3271500*F120****
390	116	140	55	9	3.5	10.5	58	2.1	4.9	50	1.75	DMC3971500*F140****
420	116	158	40	16	6.7	20.2	94	1.1	3.6	50	2.00	DMC4271500*F158****
470	116	175	45	14	6.6	19.7	79	1.3	3.4	50	2.20	DMC4771500*F175****
600	116	230	50	16	9.6	28.8	89	1.0	2.7	50	2.80	DMC6071500*F230****
1100	136	295	60	12	13.2	39.6	100	1.1	2.0	50	4.90	DMC1181500*G295****
U _N 2000V.DC												
110	86	140	65	17	1.9	5.6	42	3.5	4.5	32	1.05	DMC1172000*D140****
180	86	225	60	21	3.8	11.3	69	1.8	3.2	32	1.65	DMC1872000*D225****
270	96	230	60	10	2.7	8.4	65	2.0	1.8	45	2.10	DMC2772000*E230****
180	116	120	60	21	3.8	11.3	61	2.1	3.5	50	1.60	DMC1872000*F120****
200	116	125	60	20	4	12	60	4	1.1	50	1.60	DMC2072000*F125****
220	116	140	65	17	3.7	11.2	60	2.3	3.3	50	1.85	DMC2272000*F140****
260	116	175	55	29	7.5	22.6	93	1.1	2.9	50	2.30	DMC2672000*F175****
290	116	180	60	18	5.3	15.9	70	2	1.5	50	2.35	DMC2972000*F180****
360	116	225	60	21	7.6	22.7	93	1.3	2.4	50	2.85	DMC3672000*F225****
580	116	270	65	10	5.8	17.4	100	3	2.0	50	3.30	DMC5872000*F270****
250	136	120	60	21	5.3	15.8	67	1.8	2.9	50	2.15	DMC2572000*G120****
310	136	140	65	17	5.3	15.8	66	2.0	2.7	50	2.45	DMC3172000*G140****
360	136	175	55	29	10.4	31.3	99	1.0	2.4	50	3.15	DMC3672000*G175****
500	136	225	60	21	10.5	31.5	98	1.2	2.1	50	3.90	DMC5072000*G225****
610	136	265	60	17	10.4	31.1	98	1.3	1.9	50	4.50	DMC6172000*G265****
800	136	335	60	14	11.2	33.6	102	1.0	1.5	50	6.00	DMC8072000*G335****
880	136	360	75	14	11.5	34.5	100	0.75	2	50	6.30	DMC8872000*G360****
U _N 2200V.DC												
90	86	140	65	20	1.8	5.4	41	3.7	4.5	32	1.05	DMC9062200*D140****
150	86	225	60	25	3.8	11.3	68	1.9	3.2	32	1.65	DMC1572200*D225****
140	116	120	60	25	3.5	10.5	59	2.2	3.6	50	1.60	DMC1472200*F120****



规格表 Specification table

续上表

C _N (μF)	φD (mm)	H (mm)	ESL (nH)	dv/dt (V/μS)	I _p (kA)	I _s (kA)	I _{rms} @50°C (A)	ESR @1kHz (mΩ)	R _{th} (K/W)	P (mm)	Weight (kg)	Part number
U_N 2200V.DC												
170	116	140	65	20	3.4	10.2	58	2.5	3.3	50	1.85	DMC1772200*F140*****
180	116	130	65	20	3.6	10.8	80	3	1.6	50	1.80	DMC1872200*F130*****
210	116	175	55	34	7.1	21.4	91	1.1	2.9	50	2.30	DMC2172200*F175*****
250	116	180	65	30	7.5	22.5	50	5	1.2	50	2.30	DMC2572200*F180*****
290	116	225	60	25	7.3	21.8	91	1.4	2.4	50	2.90	DMC2972200*F225*****
200	136	120	60	25	5.0	15.0	66	1.9	2.9	50	2.15	DMC2072200*G120*****
250	136	140	65	20	5.0	15.0	65	2.1	2.7	50	2.45	DMC2572200*G140*****
290	136	175	55	34	9.9	29.6	97	1.0	2.4	50	3.15	DMC2972200*G175*****
400	136	225	60	25	10.0	30.0	96	1.2	2.1	50	3.90	DMC4072200*G225*****
500	136	265	60	20	10.0	30.0	97	1.4	1.9	50	4.50	DMC5072200*G265*****
540	136	275	70	11	6	18	70	2	1.5	50	4.60	DMC5472200*G275*****
U_N 2400V.DC												
75	86	140	65	24	1.8	5.4	40	3.9	4.5	32	1.05	DMC7562400*D140*****
120	86	225	60	29	3.5	10.4	65	2.0	3.2	32	1.65	DMC1272400*D225*****
120	116	120	60	29	3.5	10.4	58	2.3	3.6	50	1.60	DMC1272400*F120*****
140	116	140	65	24	3.4	10.1	56	2.6	3.3	50	1.85	DMC1472400*F140*****
170	116	175	55	41	7.0	20.9	89	1.2	2.9	50	2.30	DMC1772400*F175*****
240	116	225	60	29	7.0	20.9	89	1.4	2.5	50	2.85	DMC2472400*F225*****
160	136	120	60	29	4.6	13.9	63	2.0	3.0	50	2.20	DMC1672400*G120*****
200	136	140	65	24	4.8	14.4	63	2.2	2.8	50	2.50	DMC2072400*G140*****
240	136	175	55	41	9.8	29.5	95	1.1	2.5	50	3.15	DMC2472400*G175*****
330	136	225	60	29	9.6	28.7	94	1.3	2.1	50	3.90	DMC3372400*G225*****
410	136	265	60	24	9.8	29.5	95	1.4	1.9	50	4.50	DMC4172400*G265*****
U_N 2600V.DC												
63	86	140	65	28	1.8	5.3	38	4.1	4.5	32	1.05	DMC6362600*D140*****
100	86	225	60	34	3.4	10.2	63	2.1	3.2	32	1.65	DMC1072600*D225*****
100	116	120	60	34	3.4	10.2	57	2.4	3.6	50	1.60	DMC1072600*F120*****
120	116	140	65	28	3.4	10.1	55	2.7	3.3	50	1.85	DMC1272600*F140*****
140	116	175	55	47	6.6	19.7	87	1.2	2.9	50	2.30	DMC1472600*F175*****
200	116	225	60	34	6.8	20.4	87	1.5	2.5	50	2.85	DMC2072600*F225*****
140	136	120	60	34	4.8	14.3	63	2.0	3.0	50	2.15	DMC1472600*G120*****
170	136	140	65	28	4.8	14.3	62	2.3	2.8	50	2.45	DMC1772600*G140*****
200	136	175	55	47	9.4	28.2	94	1.1	2.5	50	3.15	DMC2072600*G175*****
284	136	225	60	34	9.7	29.0	93	1.3	2.1	50	3.90	DMC2872600*G225*****
340	136	265	60	28	9.5	28.6	92	1.5	1.9	50	4.50	DMC3472600*G265*****
U_N 2800V.DC												
54	86	140	65	32	1.7	5.2	37	4.3	4.5	32	1.05	DMC5462800*D140*****
88	86	225	60	39	3.4	10.3	62	2.2	3.2	32	1.65	DMC8862800*D225*****



DC-Link 金属化薄膜电容器 DMJ-MC series

Metalized film capacitor

规格表 Specification table

续上表

C _N (μF)	φD (mm)	H (mm)	ESL (nH)	dv/dt (V/μS)	I _p (kA)	I _s (kA)	I _{rms} @50°C (A)	ESR @1kHz (mΩ)	R _{th} (K/W)	P (mm)	Weight (kg)	Part number
U_N 2800V.DC												
86	116	120	60	39	3.4	10.1	56	2.5	3.6	50	1.60	DMC8662800*F120*****
100	116	140	65	32	3.2	9.6	53	2.9	3.4	50	1.85	DMC1072800*F140*****
120	116	175	55	55	6.6	19.8	85	1.3	2.9	50	2.30	DMC1272800*F175*****
170	116	225	60	39	6.6	19.9	85	1.5	2.5	50	2.85	DMC1772800*F225*****
120	136	120	60	39	4.7	14.0	62	2.1	3.0	50	2.15	DMC1272800*G120*****
140	136	140	65	32	4.5	13.4	59	2.4	2.8	50	2.50	DMC1472800*G140*****
170	136	175	55	55	9.4	28.1	92	1.1	2.5	50	3.15	DMC1772800*G175*****
240	136	225	60	39	9.4	28.1	92	1.3	2.1	50	3.90	DMC2472800*G225*****
290	136	265	60	32	9.3	27.8	91	1.5	1.9	50	4.50	DMC2972800*G265*****
U_N 3000V.DC												
46	86	140	65	34	1.6	4.7	36	4.6	4.6	32	1.05	DMC4663000*D140*****
75	86	225	60	42	3.2	9.5	61	2.3	3.2	32	1.65	DMC7563000*D225*****
74	116	120	60	42	3.1	9.3	54	2.6	3.6	50	1.60	DMC7463000*F120*****
90	116	140	65	35	3.2	9.5	53	2.9	3.3	50	1.80	DMC9063000*F140*****
100	116	175	55	59	5.9	17.7	83	1.3	3.0	50	2.35	DMC1073000*F175*****
140	116	225	60	42	5.9	17.6	82	1.6	2.5	50	2.90	DMC1473000*F225*****
100	136	120	60	42	4.2	12.6	60	2.2	3.0	50	2.15	DMC1073000*G120*****
120	136	140	65	35	4.2	12.6	58	2.5	2.8	50	2.50	DMC1273000*G140*****
140	136	175	55	59	8.3	24.8	89	1.2	2.5	50	3.15	DMC1473000*G175*****
200	136	225	60	42	8.4	25.2	89	1.4	2.2	50	3.90	DMC2073000*G225*****
250	136	265	60	35	8.8	26.3	89	1.6	1.9	50	4.50	DMC2573000*G265*****
U_N 3200V.DC												
40	86	140	65	37	1.5	4.4	35	4.9	4.6	32	1.05	DMC4063200*D140*****
65	86	225	60	45	2.9	8.8	59	2.4	3.2	32	1.65	DMC6563200*D225*****
64	116	120	60	45	2.9	8.6	53	2.7	3.6	50	1.60	DMC6463200*F120*****
78	116	140	65	37	2.9	8.7	52	3.1	3.4	50	1.80	DMC7863200*F140*****
92	116	175	55	63	5.8	17.4	83	1.3	3.0	50	2.30	DMC9263200*F175*****
120	116	225	60	45	5.4	16.2	80	1.7	2.5	50	2.90	DMC1273200*F225*****
90	136	120	60	45	4.1	12.2	59	2.2	3.0	50	2.15	DMC9063200*G120*****
110	136	140	65	37	4.1	12.2	58	2.5	2.8	50	2.45	DMC1173200*G140*****
120	136	175	55	63	7.6	22.7	87	1.2	2.6	50	3.20	DMC1273200*G175*****
180	136	225	60	45	8.1	24.3	89	1.4	2.2	50	3.85	DMC1873200*G225*****
220	136	265	60	37	8.1	24.4	88	1.6	1.9	50	4.45	DMC2273200*G265*****
U_N 3600V.DC												
24	86	140	65	69	1.7	5.0	37	4.2	4.6	32	1.10	DMC2464000*D140*****
28	86	140	65	59	1.7	5.0	38	4.0	4.6	32	1.10	DMC2863600*D140*****
38	86	225	60	85	3.2	9.7	62	2.1	3.3	32	1.70	DMC3864000*D225*****
45	86	225	60	73	3.3	9.9	64	2.0	3.3	32	1.70	DMC4563600*D225*****



规格表 Specification table

续上表

C _N (μF)	φD (mm)	H (mm)	ESL (nH)	dv/dt (V/μS)	I _p (kA)	I _s (kA)	I _{rms} @50°C (A)	ESR @1kHz (mΩ)	R _{th} (K/W)	P (mm)	Weight (kg)	Part number
U _N 3600V.DC												
44	116	120	60	74	3.3	9.8	57	2.3	3.7	50	1.65	DMC4463600*F120*****
54	116	140	65	59	3.2	9.6	55	2.7	3.4	50	1.90	DMC5463600*F140*****
88	116	225	60	74	6.5	19.5	87	1.4	2.5	50	3.00	DMC8863600*F225*****
110	116	265	60	60	6.6	19.8	85	1.6	2.3	50	3.45	DMC1173600*F265*****
61	136	120	60	73	4.5	13.4	63	2.0	3.0	50	2.25	DMC6163600*G120*****
75	136	140	65	60	4.5	13.5	61	2.3	2.8	50	2.55	DMC7563600*G140*****
120	136	225	60	74	8.9	26.6	92	1.3	2.2	50	4.05	DMC1273600*G225*****
150	136	265	60	60	9.0	27.0	92	1.5	2.0	50	4.70	DMC1573600*G265*****
U _N 4000V.DC												
37	116	120	60	85	3.1	9.4	55	2.4	3.7	50	1.65	DMC3764000*F120*****
46	116	140	65	69	3.2	9.5	54	2.8	3.4	50	1.90	DMC4664000*F140*****
74	116	225	60	85	6.3	18.9	85	1.5	2.5	50	3.00	DMC7464000*F225*****
92	116	265	60	69	6.3	19.0	83	1.7	2.3	50	3.45	DMC9264000*F265*****
52	136	120	60	85	4.4	13.3	62	2.1	3.0	50	2.25	DMC5264000*G120*****
64	136	140	65	69	4.4	13.2	60	2.3	2.8	50	2.55	DMC6464000*G140*****
100	136	225	60	85	8.5	25.5	90	1.3	2.2	50	4.05	DMC1074000*G225*****
130	136	265	60	69	9.0	26.9	91	1.5	2.0	50	4.65	DMC1374000*G265*****

