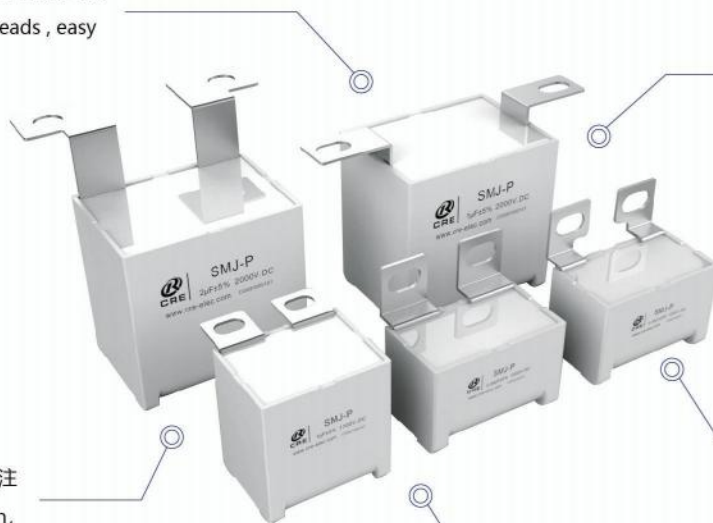


IGBT 缓冲吸收电容 SMJ-P series

Snubber capacitor

镀锡铜插片引出, 方便IGBT各种孔距安装
Tin-plated copper inserts leads, easy installation for IGBT

塑料外壳封装, 阻燃树脂灌注
Plastic shell encapsulation, dry resin infusion



耐压高, 损耗(tgδ)小, 温升低
Resistance to high voltage, low tgδ, low temperature rise

高脉冲电流, 高dv/dt承受能力
High pulse current, high dv/dt withstand capability

自感(ESL)小, 等效串联电阻(ESR)小
Low ESL and ESR

应用

- IGBT缓冲吸收。
- 广泛应用于电力电子设备中开关器件关断时的尖峰电压, 尖峰电流吸收保护。

Application

- IGBT Snubber.
- Widely used in power electronic equipment when the peak voltage, peak current absorption protection.

性能参数 Technical data

工作温度范围 / Operating temperature range	Max.Operating temperature.Top,max : + 105°C
	Upper category temperature:+85°C
	Lower category temperature:- 40°C
容量范围(C _N) / Capacitance range	0.1µF~5.6µF
额定电压(U _N) / Rated voltage	700V.DC ~ 3000V.DC
容量偏差 / Cap.tol	±5% (J) ; ±10% (K)
耐电压 / Withstand voltage	1.5U _{NDC} /10s
损耗角正切 / Dissipation factor	tgδ<0.0005 C<1µF f=10kHz
	tgδ< 0.001 C>1µF f=10kHz
绝缘电阻 / Insulation resistance	C ≤0.33µF R _s ≥30000 MΩ (at20°C 100V.DC 60s)
	C > 0.33µF R _s ×C ≥10000s (at20°C 100V.DC 60s)



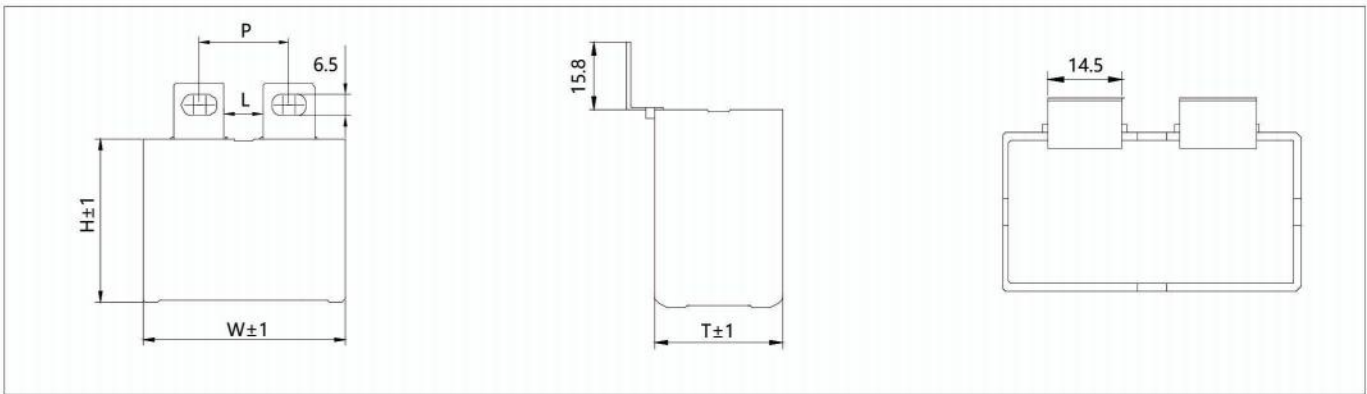
01

性能参数 Technical data

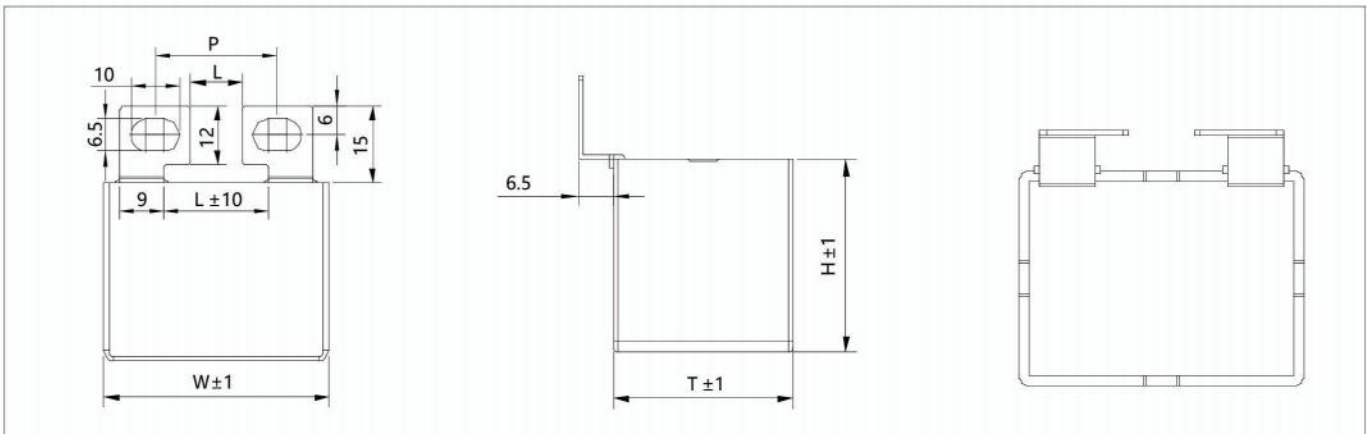
续上表

耐脉冲电流冲击 / Withstand strike current	具体见规格表/See the specification sheet
阻燃性 / Flame retardation	UL94V -0
预期寿命 / Life expectancy	100000h (U_N ; $\theta_{\text{hotspot}} \leq 85^\circ\text{C}$)
引用标准 / Reference standard	IEC61071 ; GB / T17702

尺寸图 Size chart



Type A0:				Output: M6	
W	L	P	L	P	
42.5	10.5	22 ~ 29			
57.5	10.5	22 ~ 29	25.5	37 ~ 44	



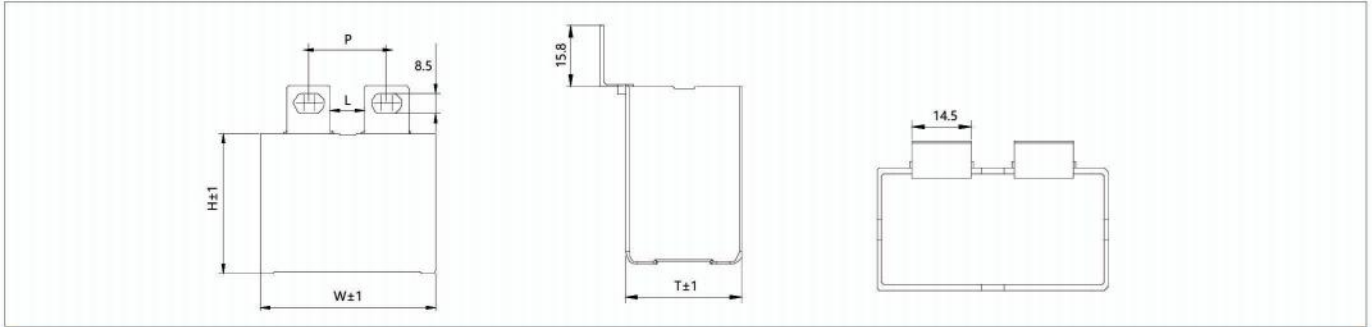
Type A1:				Output: M6	
W	L	P	L	P	
42.5	10.5	22 ~ 29			
57.5	10.5	22 ~ 29	25.5	37 ~ 44	



IGBT 缓冲吸收电容 SMJ-P series

Snubber capacitor

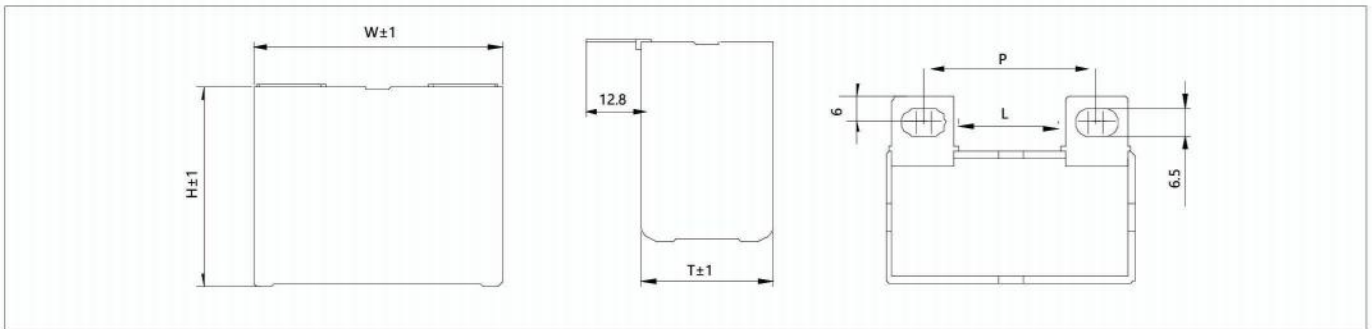
尺寸图 Size chart



Type A2:

Output: M8

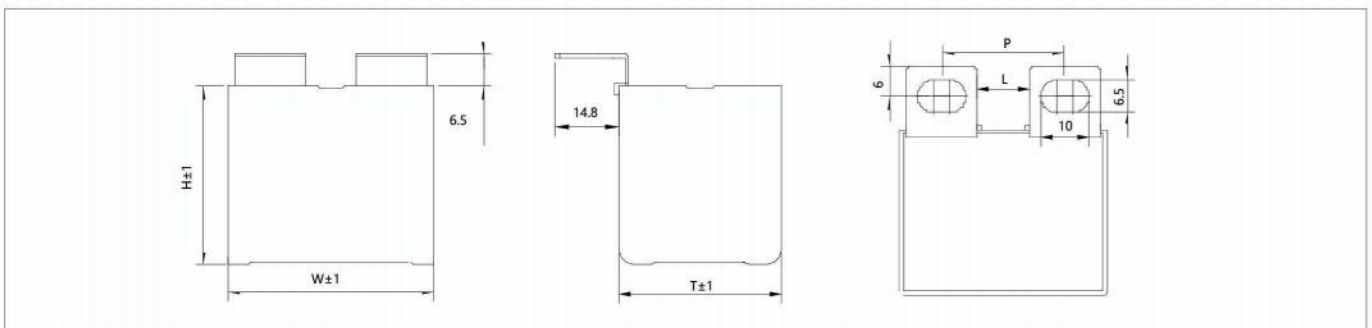
W	L	P	L	P
42.5	11	24 ~ 26	8	21 ~ 23
57.5	11	24 ~ 26	24	37 ~ 39



Type B0:

Output: M6

W	L	P	L	P
42.5	10.5	22 ~ 29		
57.5	10.5	22 ~ 29	25.5	37 ~ 44



Type B1:

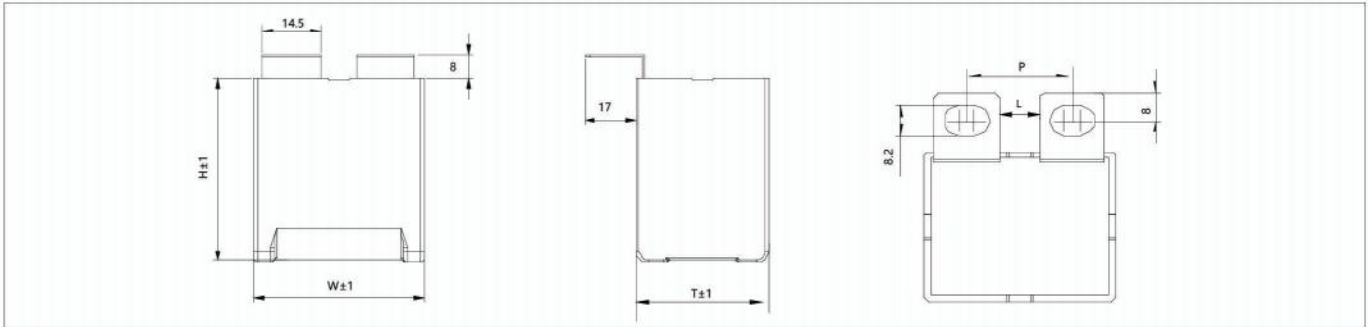
Output: M6

W	L	P	L	P
42.5	10.5	22 ~ 29		
57.5	10.5	22 ~ 29	25.5	37 ~ 44



03

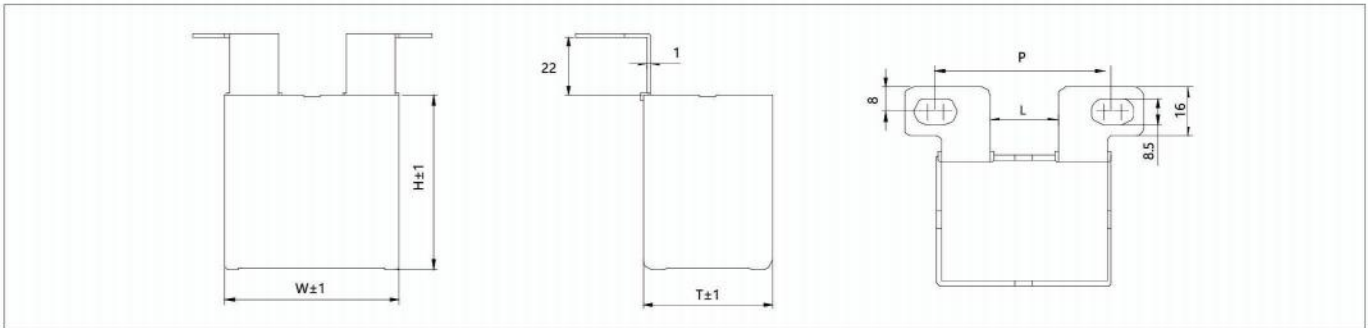
尺寸图 Size chart



Type B2:

Output: M8

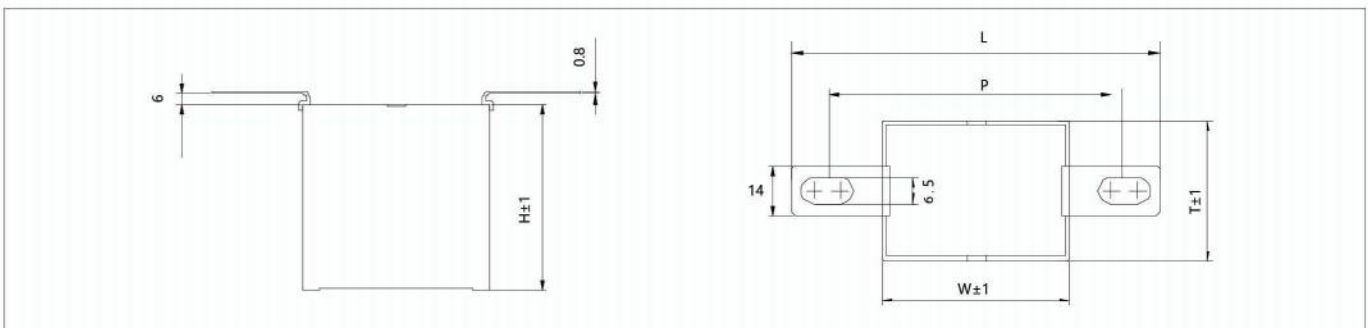
W	L	P	L	P
42.5	10.5	22 ~ 26	8.5	22 ~ 24
57.5	10.5	22 ~ 26	23.5	37 ~ 39



Type B3:

Output: M8

W	L	P	L	P
57.5	21	51.5 ~ 62.5		



Type C0:

Output: M6

W	L	P
42.5	80.5	60.5 ~ 64.5
57.5	95.5	75.5 ~ 79.5



IGBT 缓冲吸收电容 SMJ-P series

Snubber capacitor

产品编码说明 Part number system

Model			Capacitance			U _N (DC)				Cap. tol	Lead			L			Internal feature code	
1	2	3	4	5	6	7	8	9	10	11	12	13	14	15	16	17	18	
S	~	P	1	0	5	1	2	0	0	J	A	1	1	0	5	0	1	
1	~	3	位: 型号代码/Model															
4	~	6	位: 标称容量/Nominal Capacity e.g. 105= 10×10 ⁵ pF= 1μF															
7	~	10	位: 额定电压(直流) / U _N (DC) e.g. 1200= 1200VDC															
			11	位: 容量偏差等级/Capacitance Tolerance ±5% (J) ; ±10% (K)														
12	~	13	位: 引出方式/Lead A0; A1; A2; A3 B0; B1: B2 C0 (See the specification sheet)															
14	~	16	位: 脚距L/Distance between mounting holes L e.g. 105= 10.5mm; 200= 20.0mm															
17	~	18	位: 内部特征码/Internal feature code															

规格表 Specification table

C _N (μF)	尺寸/Dimension (mm)			ESR @100kHz (mΩ)	ESL (nH)	dv/dt (V/μS)	I _p (A)	I _{rms} @100kHz/85°C (A)	Part number
	W	T	H						
U _N 700V.DC U _{rms} 400V.AC U _s 1050V									
0.47	42.5	24.5	27.5	12	25	500	235	8	S-P4740700*****
0.68	42.5	24.5	27.5	10	25	480	326.4	10	S-P6840700*****
1	42.5	24.5	27.5	8	24	450	450	12	S-P1050700*****
1.5	42.5	33.5	35.5	7	25	430	645	5	S-P1550700*****
2	42.5	33	35.5	6	24	420	840	15	S-P2050700*****
2.5	42.5	33	45	6	23	400	1000	18	S-P2550700*****
3	42.5	33	45	5.5	22	380	1140	20	S-P3050700*****
3	57.5	30	45	5	26	350	1050	22	S-P3050700*****
3.5	42.5	33	45	5	23	350	1225	25	S-P3550700*****
3.5	57.5	30	45	6	25	300	1050	22	S-P3550700*****
4.7	57.5	35	50	5	28	280	1316	25	S-P4750700*****
5.6	57.5	38	54	4	30	250	1400	25	S-P5650700*****
6	57.5	38	54	3.5	33	230	1380	28	S-P6050700*****
6.8	57.5	42.5	56	3.2	32	220	1496	32	S-P6850700*****
8	57.5	42.5	56	2.8	30	200	1600	33	S-P8050700*****
U _N 1000V.DC U _{rms} 500V.AC U _s 1500V									
0.47	42.5	24.5	27.5	11	25	1000	470	10	S-P4741000*****
0.68	42.5	24.5	27.5	8	25	800	544	12	S-P6841000*****
1	42.5	33.5	35.5	6	24	800	800	15	S-P1051000*****
1.5	42.5	33	45	6	24	700	1050	15	S-P1551000*****
2	42.5	33	45	5	22	700	1400	20	S-P2051000*****
2.5	57.5	30	45	5	30	600	1500	22	S-P2551000*****
3	57.5	35	50	4	30	600	1800	25	S-P3051000*****



05

规格表 Specification table

续上表

C _N (μF)	尺寸/Dimension (mm)			ESR @100kHz (mΩ)	ESL (nH)	dv/dt (V/μs)	I _p (A)	I _{rms} @100kHz85°C (A)	Part number
	W	T	H						
U_N 1000V.DC U_{rms} 500V.AC U_s 1500V									
3.3	57.5	35	50	3.5	28	550	1815	25	S-P3351000*****
3.5	57.5	38	54	3.5	28	500	1750	25	S-P3551000*****
4	57.5	38	54	3.2	26	500	2000	28	S-P4051000*****
4.7	57.5	42.5	56	3	25	420	1974	30	S-P4751000*****
5.6	57.5	42.5	56	2.8	24	400	2240	32	S-P5651000*****
U_N 1200V.DC U_{rms} 550V.AC U_s 1800V									
0.47	42.5	24.5	27.5	11	24	1200	564	10	S-P4741200*****
0.68	42.5	33.5	35.5	7	23	1100	748	12	S-P6841200*****
1	42.5	33.5	35.5	6	22	800	800	14	S-P1051200*****
1.5	42.5	33	45	5	20	800	1200	15	S-P1551200*****
2	57.5	30	45	4	30	750	1500	20	S-P2051200*****
2.5	57.5	35	50	4	28	700	1750	25	S-P2551200*****
3	57.5	35	50	4	27	600	1800	25	S-P3051200*****
3.3	57.5	38	54	4	27	550	1815	28	S-P3351200*****
3.5	57.5	38	54	3.5	25	500	1750	28	S-P3551200*****
4	57.5	42.5	56	3.5	25	450	1800	30	S-P4051200*****
4.7	57.5	42.5	56	3.2	23	420	1974	32	S-P4751200*****
U_N 1700V.DC U_{rms} 575V.AC U_s 2250V									
0.33	42.5	24.5	27.5	12	25	1300	429	9	S-P3341700*****
0.47	42.5	24.5	27.5	10	24	1300	611	10	S-P4741700*****
0.68	42.5	33.5	35.5	8	23	1300	884	12	S-P6841700*****
1	42.5	33	45	7	22	1200	1200	15	S-P1051700*****
1.5	42.5	33	45	6	22	1200	1800	18	S-P1551700*****
1.5	57.5	30	45	5	31	1200	1800	20	S-P1551700*****
2	57.5	30	45	5	30	1100	2200	22	S-P2051700*****
2.5	57.5	35	50	4	28	1100	2750	25	S-P2551700*****
3	57.5	38	54	4	27	700	2100	25	S-P3051700*****
3.3	57.5	38	54	3.8	26	600	1980	28	S-P3351700*****
3.5	57.5	42.5	56	3.5	25	500	1750	30	S-P3551700*****
4	57.5	42.5	56	3.2	25	450	1800	32	S-P4051700*****
U_N 2000V.DC U_{rms} 700V.AC U_s 3000V									
0.22	42.5	24.5	27.5	15	25	1500	330	10	S-P2242000*****
0.33	42.5	33.5	35.5	12	24	1500	495	12	S-P3342000*****
0.47	42.5	33.5	35.5	11	23	1400	658	15	S-P4742000*****
0.68	42.5	33	45	8	22	1200	816	18	S-P6842000*****
0.68	57.5	30	45	7	30	1100	748	20	S-P6842000*****
0.82	42.5	33	45	7	28	1200	984	22	S-P8242000*****
1	57.5	30	45	6	28	1100	1100	25	S-P1052000*****
1.5	57.5	35	50	5	25	1000	1500	28	S-P1552000*****
2	57.5	38	54	5	24	800	1600	28	S-P2052000*****
2.2	57.5	42.5	56	4	23	700	1540	32	S-P2252000*****
U_N 3000V.DC U_{rms} 750V.AC U_s 4500V									
0.15	42.5	33	45	18	28	2500	375	25	S-P1543000*****
0.22	42.5	33	45	15	27	2200	484	28	S-P2243000*****
0.22	57.5	35	50	15	25	2000	330	20	S-P2243000*****
0.33	57.5	35	50	12	24	1800	495	20	S-P3343000*****
0.47	57.5	38	54	11	23	1600	752	22	S-P4743000*****
0.68	57.5	42.5	56	8	22	1500	1020	28	S-P6843000*****

